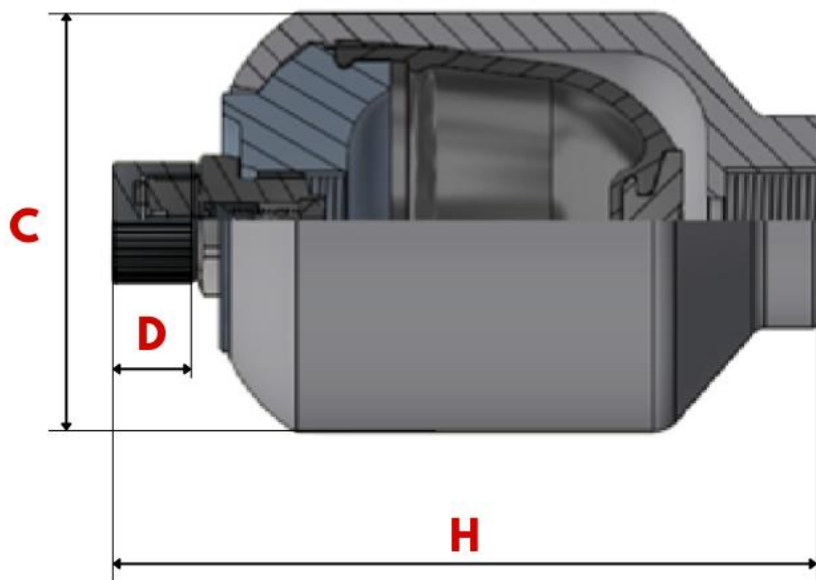


DATA SHEET – DIMENSIONS

HYDRAULIC ACCUMULATORS



Model	H150R	H350R
Code	12729	10943
H	118 mm	193 mm
D	70 mm	
C	23 mm	
Capacity/Volume	0,15 L	0,35 L
Max. pressure	250 bar	
Max. N2 (precharge)	160 bar	
Connection	M18 x 1,5	
Max. flow	40 L/min	35 L/min
Weight	1,3 kg	2 kg
Housing	Painted carbon steel	
Operating temperature	From -20°C to +80°C	
Accumulator precharge	Nitrogen (N ₂) - 5/8" UNF	